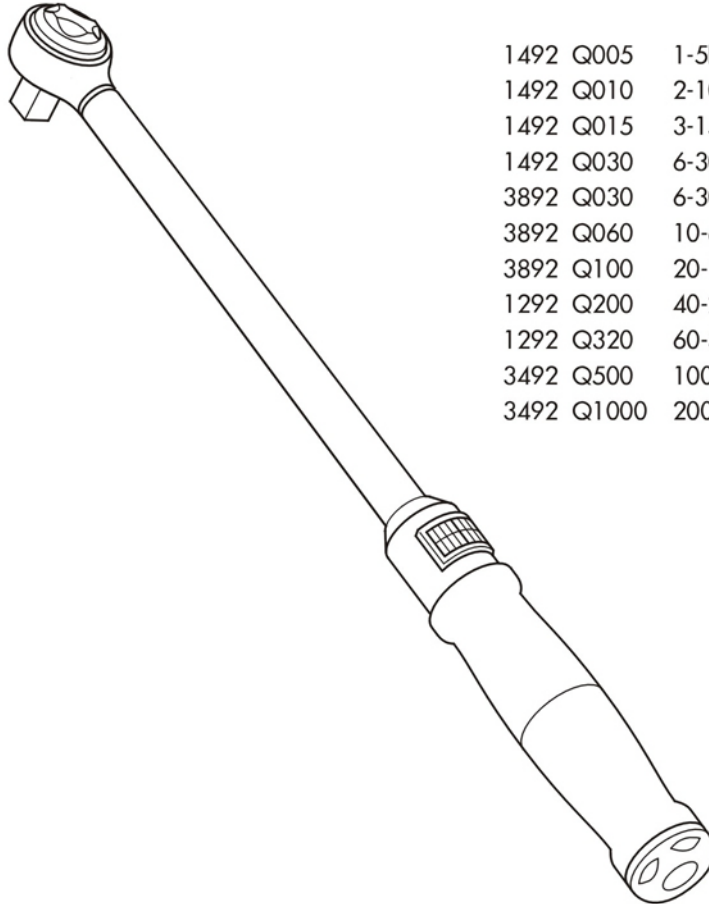


Q Series Torque Wrenches



TENGTOLS

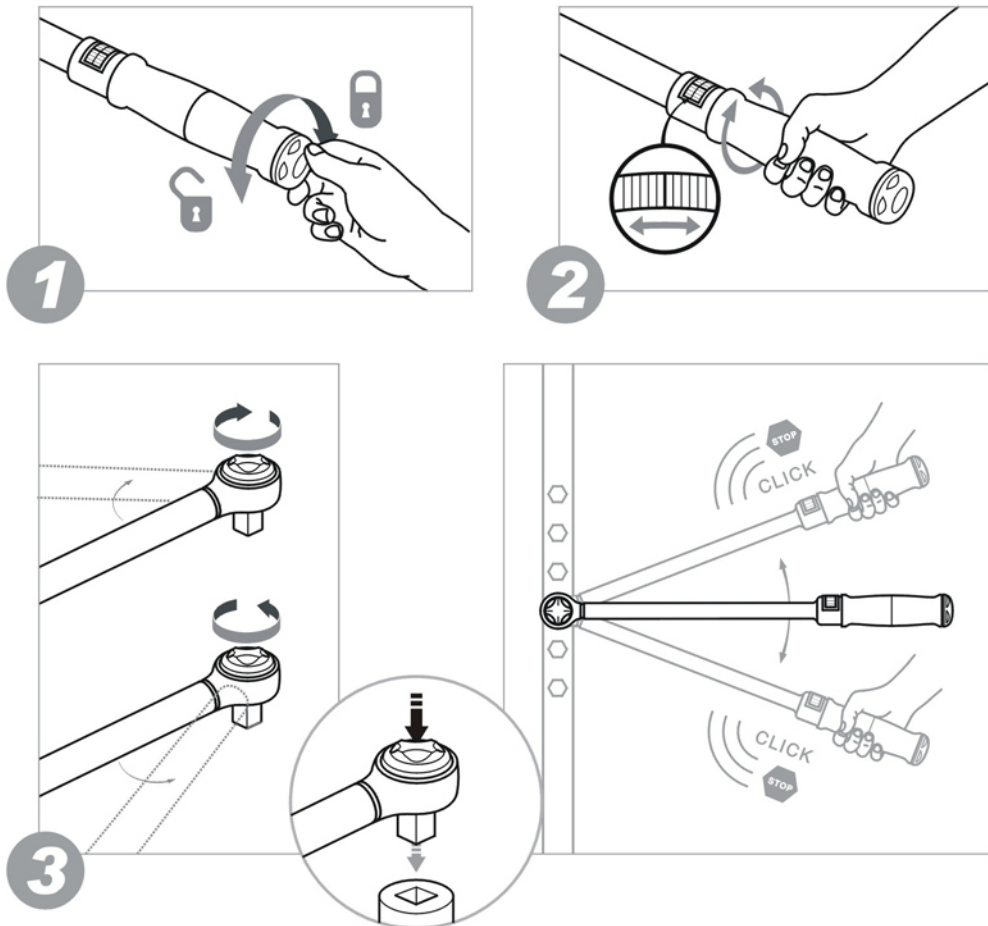


| | |
|------------|------------|
| 1492 Q005 | 1-5NM |
| 1492 Q010 | 2-10NM |
| 1492 Q015 | 3-15NM |
| 1492 Q030 | 6-30NM |
| 3892 Q030 | 6-30NM |
| 3892 Q060 | 10-60NM |
| 3892 Q100 | 20-100NM |
| 1292 Q200 | 40-200NM |
| 1292 Q320 | 60-320NM |
| 3492 Q500 | 100-500NM |
| 3492 Q1000 | 200-1000NM |



www.tengtools.com

Q Series Torque Wrenches



When you lock wrench please don't turn any more for torque by hand. If the torque wrench has not been used recently it may be necessary to "warm up" or reset the internal mechanism by operating the wrench at the required torque several times (or at least 20-time) on a non important fastening until it clicks. This should be done before using to accurately check torque